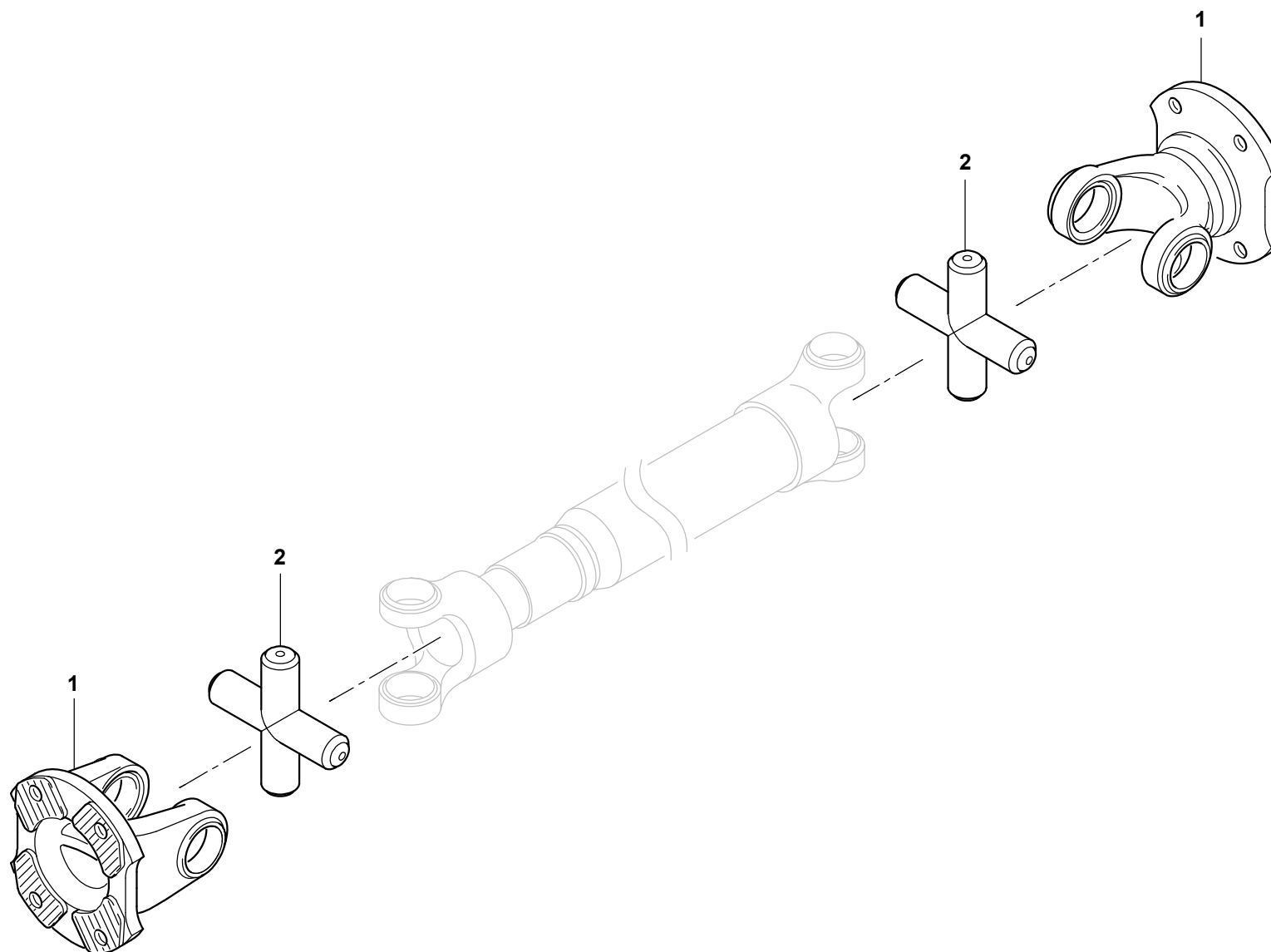


GROVEGELENKWELLE
CARDAN SHAFTBILDТАFEL
PICTORIAL DISPLAY**GMK3060**

05.09

3066088-ETL B

1/1



3066088-B-BL01-0509-0000